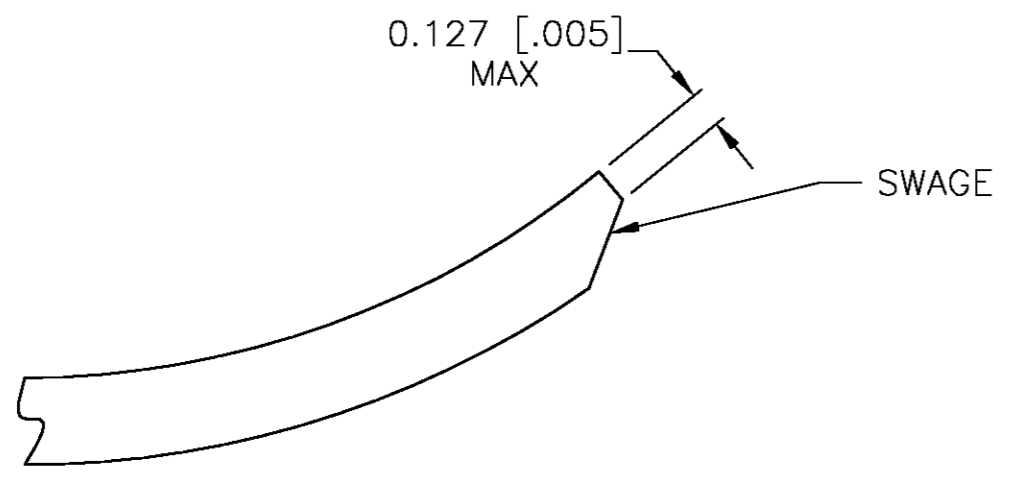
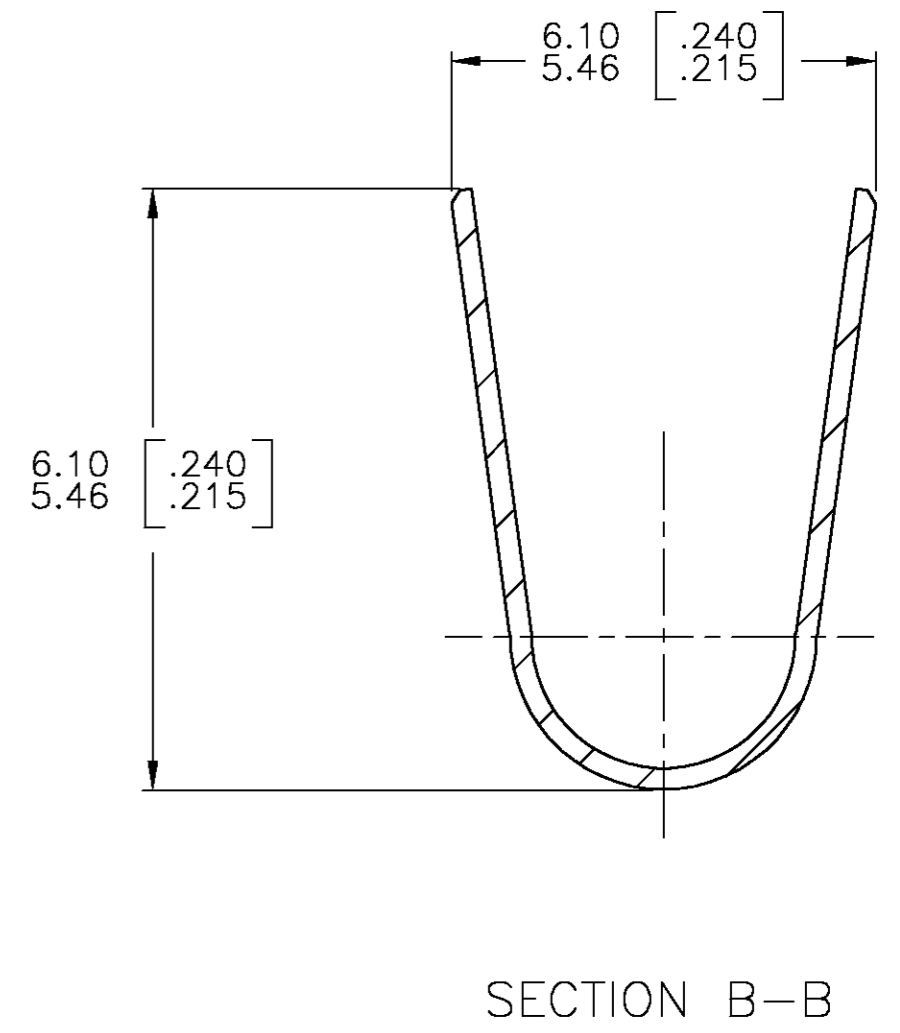
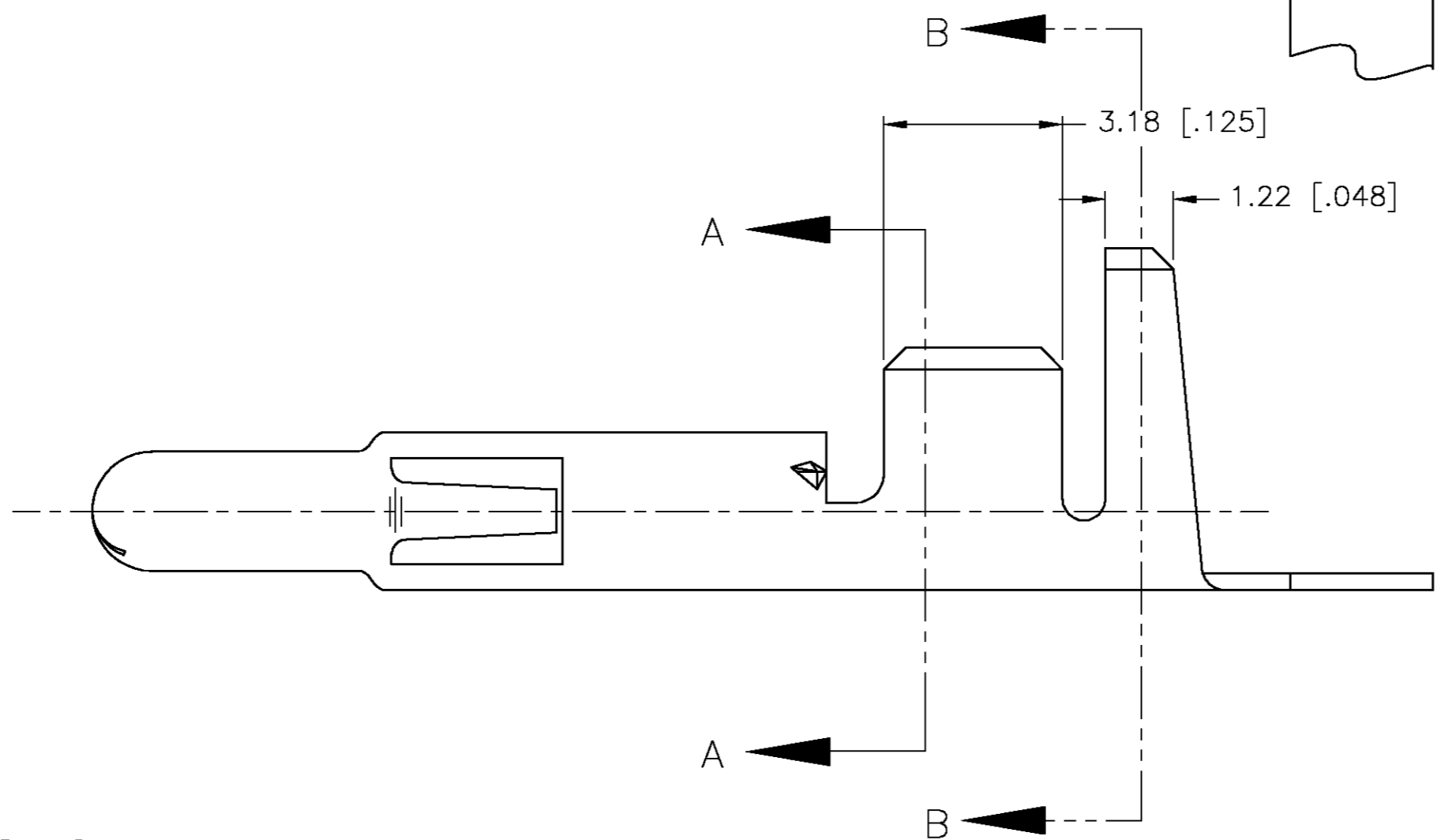
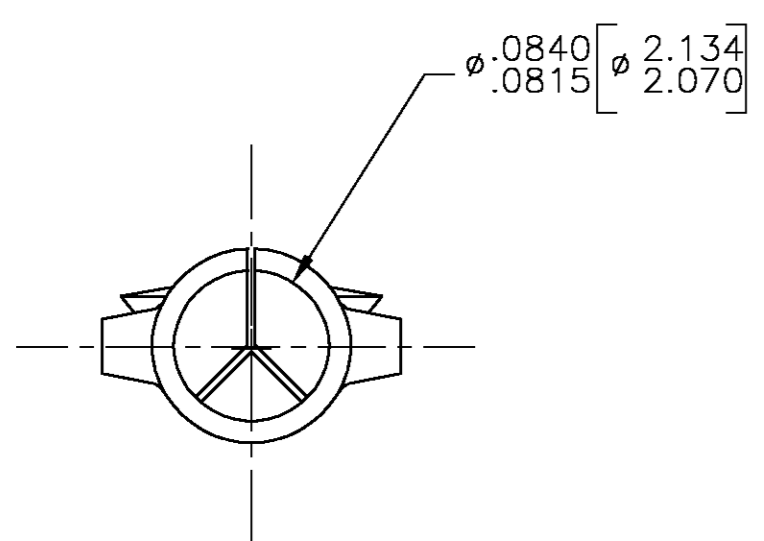
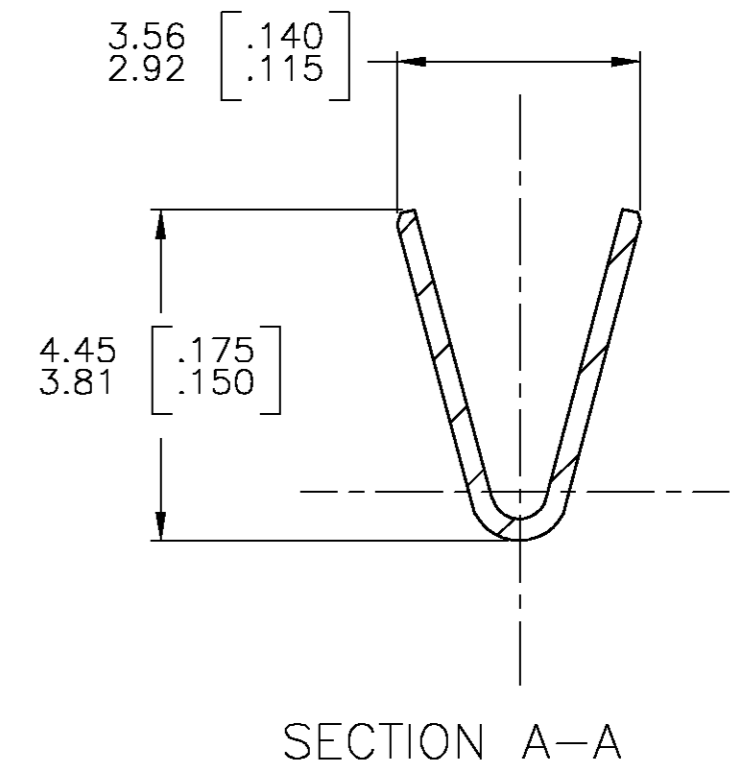
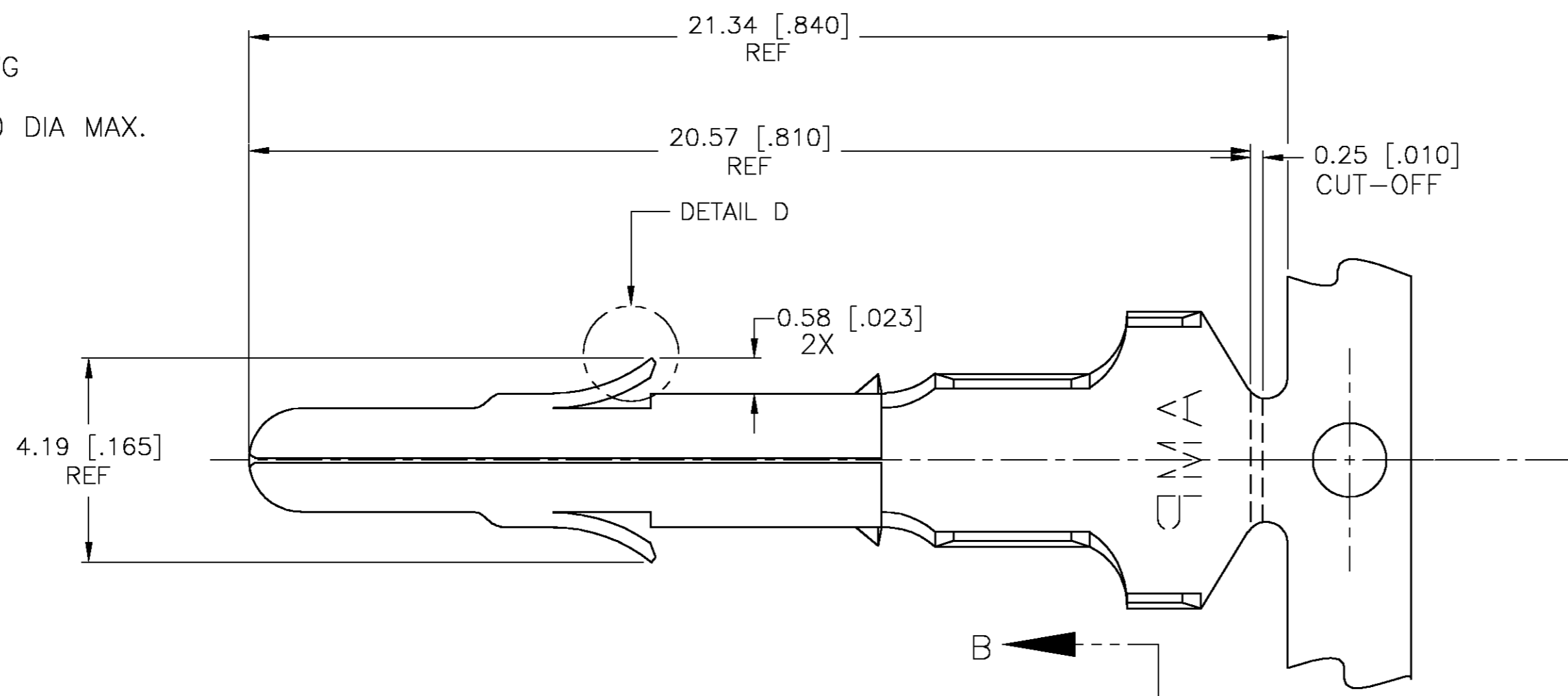


THIS DRAWING IS UNPUBLISHED. RELEASED FOR PUBLICATION
 © COPYRIGHT BY TYCO ELECTRONICS CORPORATION. ALL RIGHTS RESERVED.

LOC		DIST		REVISIONS			
P	LTR	DESCRIPTION		DATE	DWN	APVD	
U		REVISED PER 0G3B-0561-02		04-FEB-03	SH	SR	

- 1. WIRE RANGE: 18-14 AWG
- 2. INSULATION RANGE: .200 DIA MAX.



LOOSE PIECE REFERENCE	FINISH	MATERIAL	PART NUMBER
350918-3	PRE-TIN	.012 PH. BRZ.	350873-3
---	PRE-TIN	.012 BRASS	350873-1

THIS DRAWING IS A CONTROLLED DOCUMENT.

DIMENSIONS: MM [INCHES]	TOLERANCES UNLESS OTHERWISE SPECIFIED:	DWN S. HOOVER 04-FEB-2003	Tyco Electronics Corporation Harrisburg, PA 17105-3608
	0 PLC ±	CHK S. RIDGILL 04-FEB-2003	
	1 PLC ±	APVD S. RIDGILL 04-FEB-2003	
	2 PLC ±	PRODUCT SPEC	
MATERIAL	FINISH	APPLICATION SPEC	NAME PIN, UNIVERSAL MATE-N-LOK™ SIZE A2 CAGE CODE 00779 DRAWING NO C=350873 WEIGHT CUSTOMER DRAWING SCALE 4:1 SHEET 1 OF 1 REV U